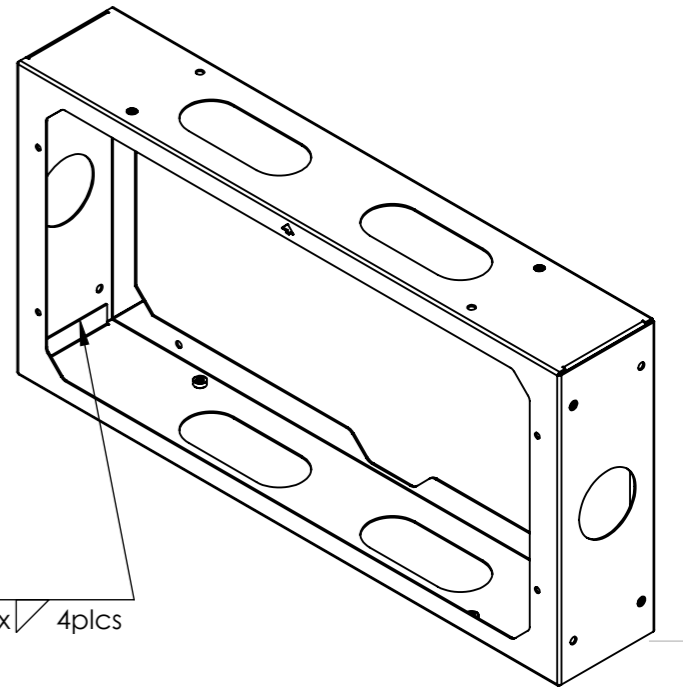
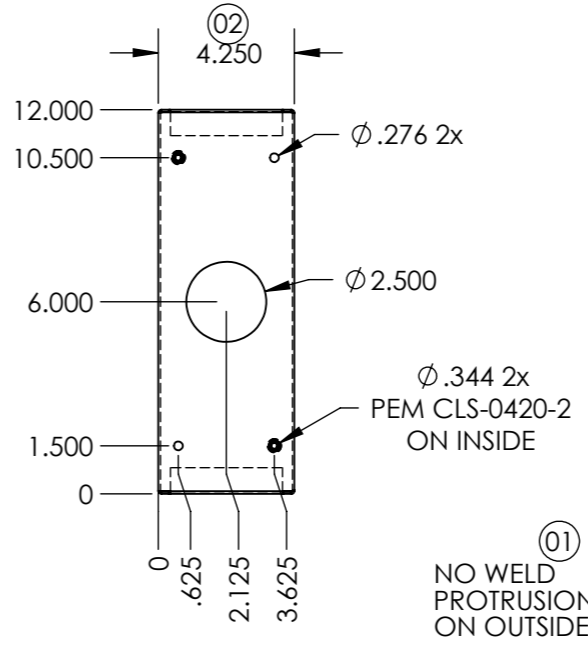
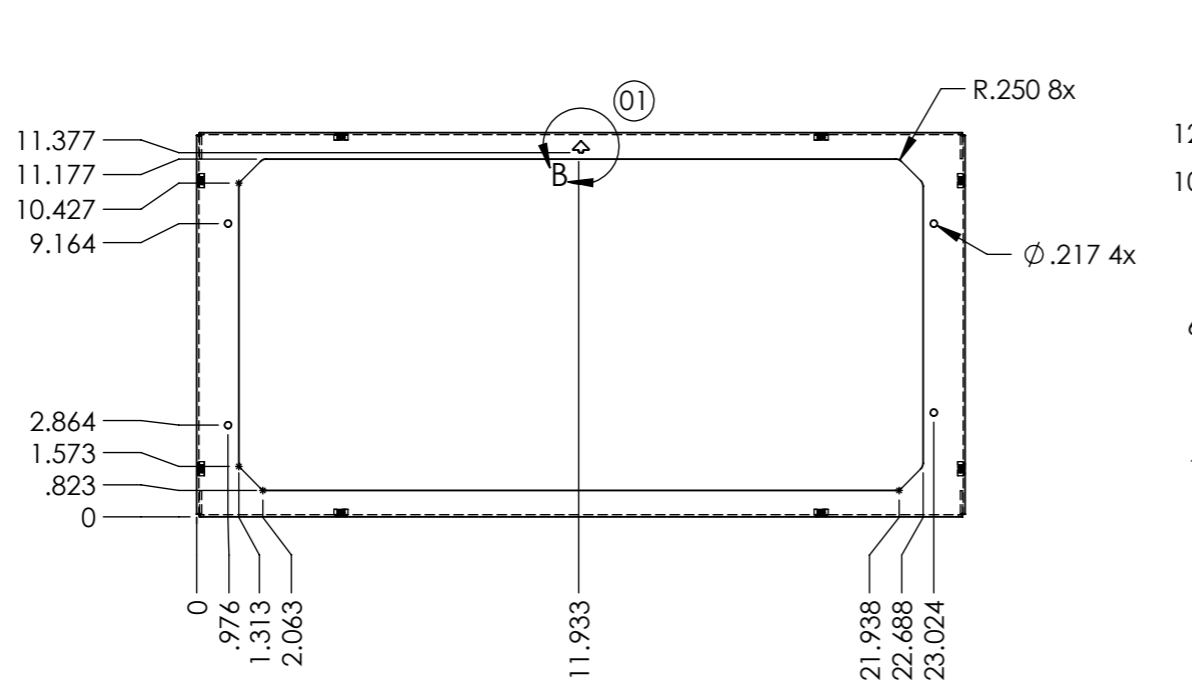
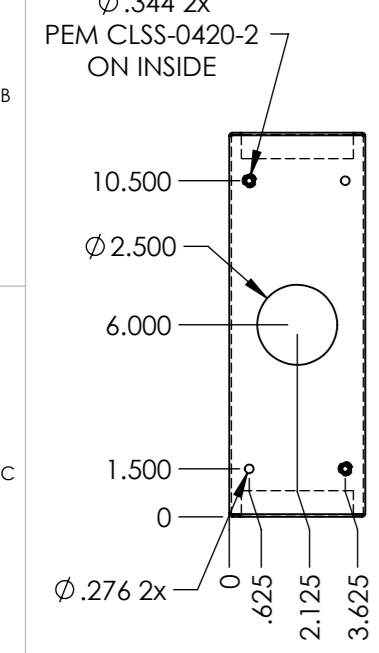
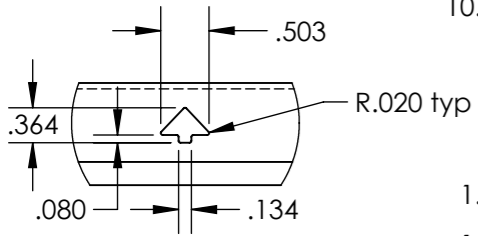
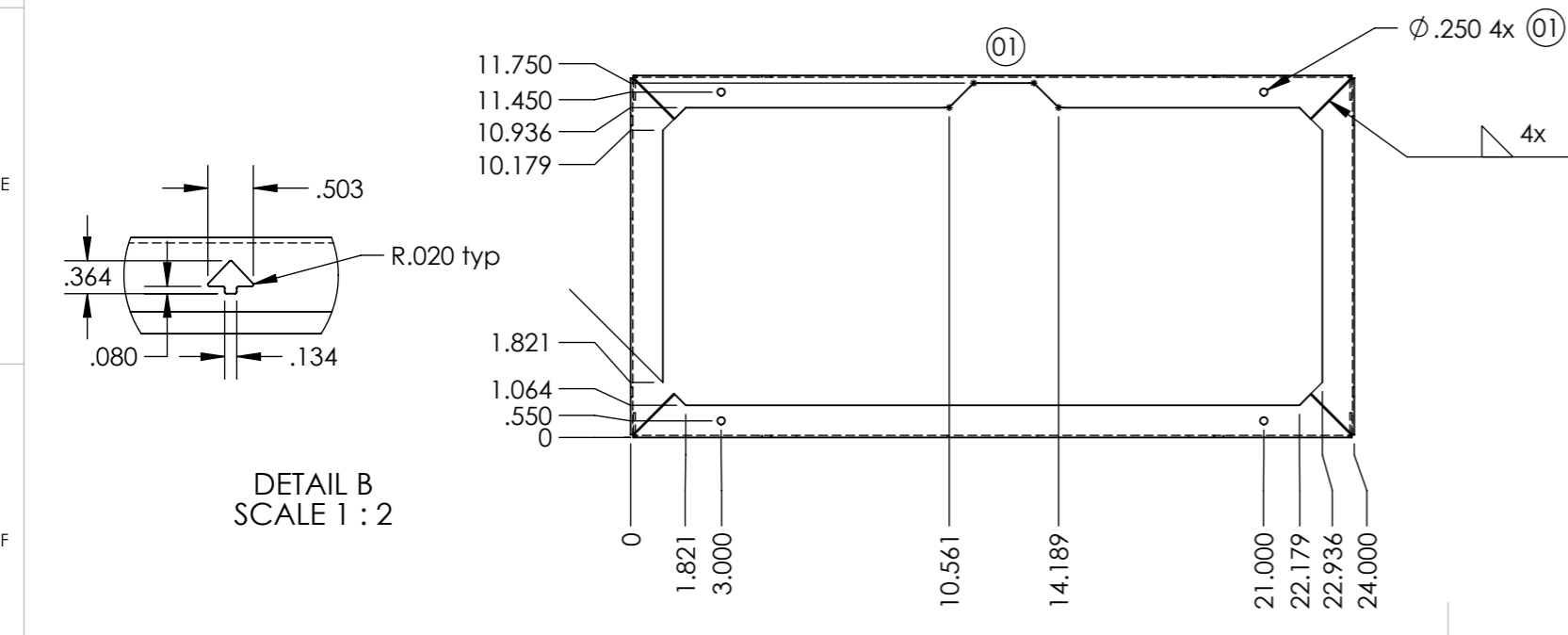
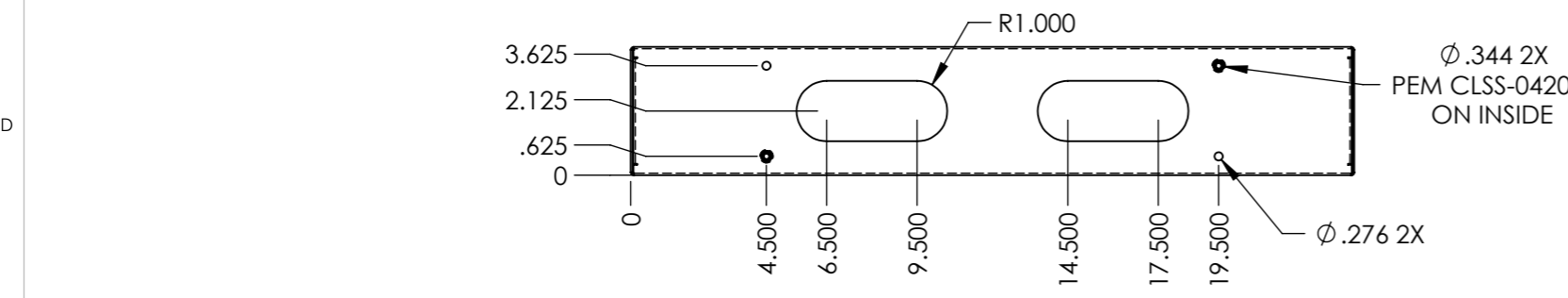


REVISIONS				
ZONE	REV.	DESCRIPTION	DATE	APPROVED
	01	REMOVED HOLES ON INSIDE FLANGES AND COUNTERSUNK HOLES ON OUTSIDE ADDED ARROW CUTOUT ON FRONT ADDED .250" HOLES 4x ON BACK ADDED NOTCH FOR CABLE CLEARANCE ON BACK ADDED WELDING NOTES	9/15/2014	
	02	4.250" was 3.250"	11/3/2014	



NO WELD PROTRUSION ON OUTSIDE
1/2" -- 2x 4plcs



DETAIL B
SCALE 1 : 2

J&M ID# 130-0003
BD=.102 DIE=.390 PUNCH=STD
FLAT: 34.955" x 22.955"
SEE ATTACHED FORMING PRINT

UNLESS OTHERWISE SPECIFIED: DIMENSIONS ARE IN INCHES TOLERANCES: LINEAR : .XX = ±.01 .XXX = ±.002 ANGULAR : ±0.5°	DRAWN : ARFIAN	DATE : JULY 9, 2014
	CHK'D :	DATE :
MATERIAL : REFER TO PART MATERIAL	APPV'D :	DATE :
WEIGHT : 1122.27 POUNDS	MFG :	DATE :
VOLUME : 413168.83 inch ³	PROCESS : ASSEMBLING	
FINISH :		
THE INFORMATION CONTAINED IN THIS DRAWING IS THE SOLE PROPERTY OF CIRRUS ANY REPRODUCTION IN PART OR AS A WHOLE WITHOUT THE WRITTEN PERMISSION OF CIRRUS IS PROHIBITED.		

CIRRUS

PROJECT : LED FRAME DESIGN

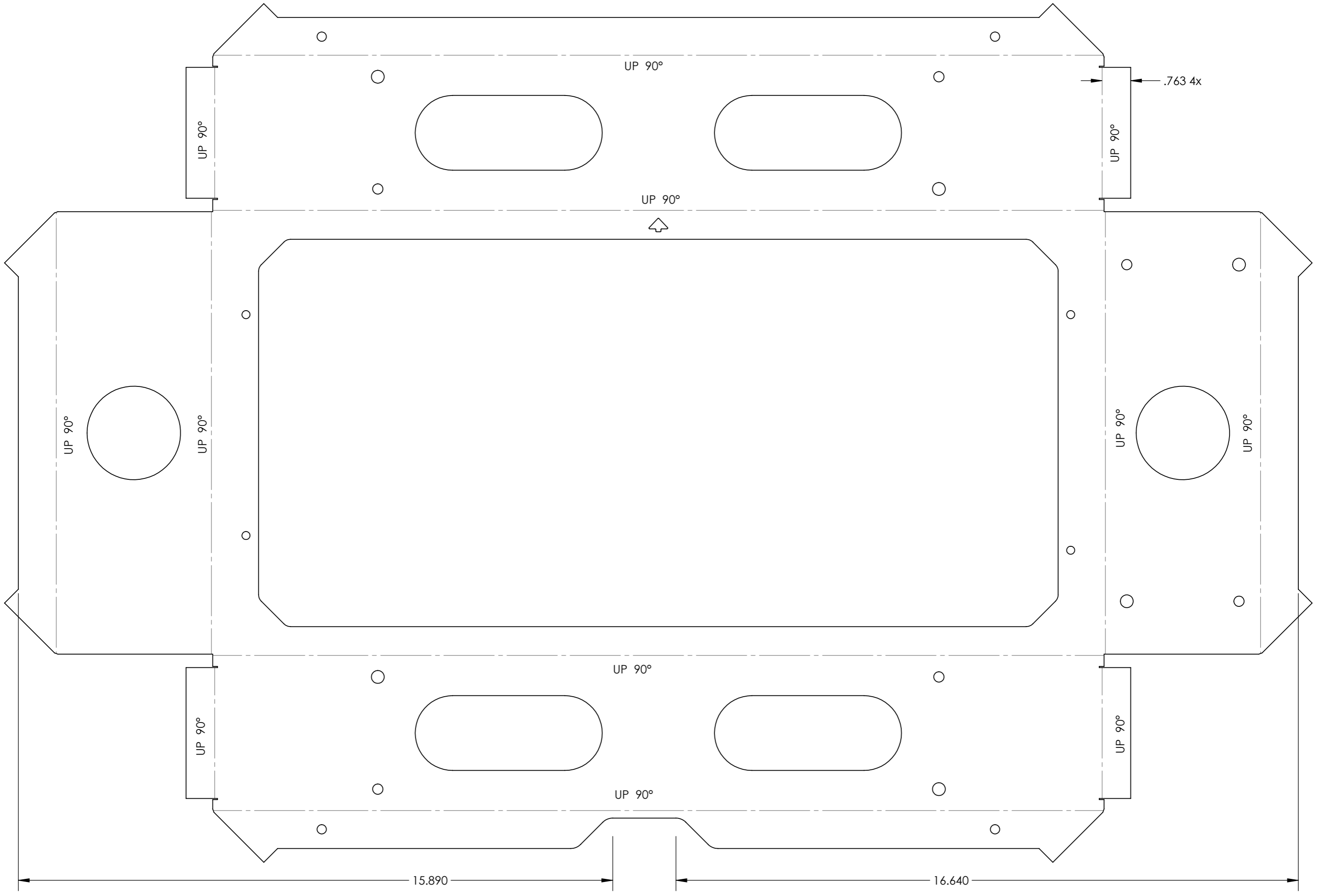
TITLE / PART DESCRIPTION :
LED FRAME ASSEMBLY

DWG NO. / PART NO. :
99128-A-001-00

THIRD ANGLE PROJECTION

DO NOT SCALE DRAWING REFER TO MATH DATA FOR ANY UNDIMENSIONED CONTOURS

SCALE: 1:4 SHEET 1 OF 2 SIZE : A3 REV : 02



PART IS NOT SYMMETRICAL
SEE NOTCH WITH DIMENSIONS